

B28

HIGH SPEED COMPACT LEAK TESTER FOR INDUSTRIAL QUALITY CONTROL

Without a doubt, the **B28** is the smallest high-performance leak tester for battery cells and breathable membranes. One of the main advantages is that our **B28** module can quickly test the cell's insulation. To ensure the best measurement conditions, the **B28** has the optional capability to control filling and dumping vacuum around the part to test in a specific enclosure. You can daisy chain up to 50 modules and monitor them with a touch screen panel and our user-friendly interface: **B28** control.

Specifically adapted for automatic and semi-automatic test machines, the **B28** has a full range of specifications at a very competitive price.

Highlights

- COMPACT
- HIGH SPEED TESTING
- ACCURATE
- 50 MODULES NETWORK



Applications



Battery, Automotive

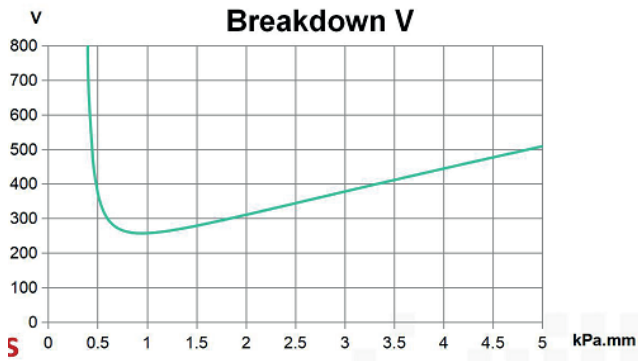
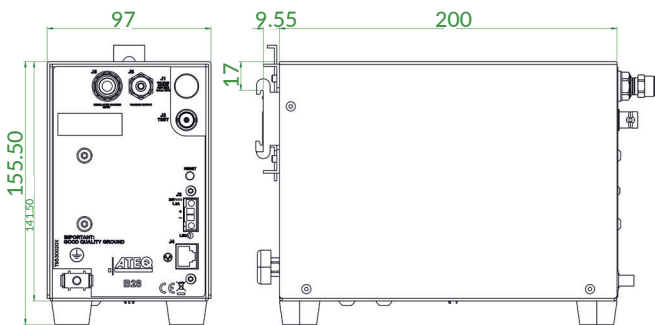
B28

HIGH SPEED COMPACT LEAK TESTER FOR INDUSTRIAL QUALITY CONTROL

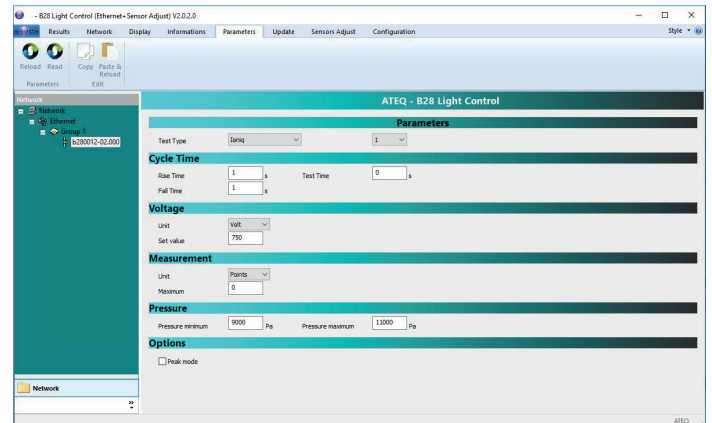
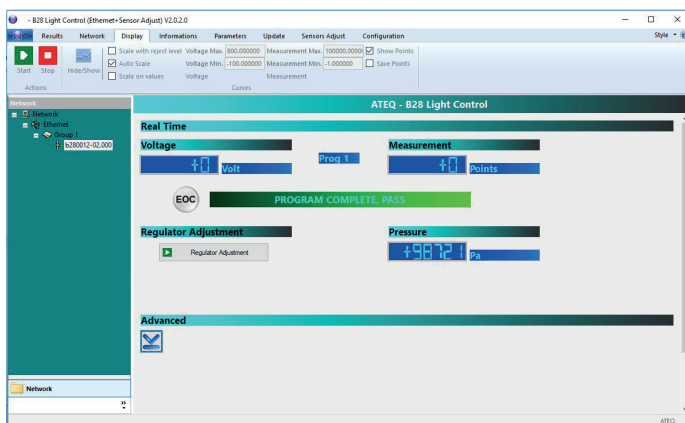
Measurement Characteristics

Test	Range*	Max. resolution
Test Voltage	50 - 750 VDC	< 1% FS
Leak	0 to 100 000 pts	
Pressure	0.5 kPa to ATM	

Accuracy: linearity + repeatability + hysteresis
*Optional laboratory accuracy available



B28 control



Main Features

- Leak measurement using air ionization method
- (I max < 1 mA)
- Compact size
- External vacuum source
- Ethernet network up to 50 modules (Modbus IP)
- DIN rail mounting
- Environment: ROHS standard

Technical Specifications

Physical	Weight: approx 3.5 kg Dimensions: (overall (mm)): H 155.5 x L 97 x D 229.55
Electrical external supply	Voltage: 24 V DC / 1.6 A Main adapter (included): 110 – 230 VAC
Temperature	Operating: +5°C to +45°C Storage: 0°C to +60°C

Options

- Integrated fill and dump valves

